

**MAHARSHI KARVE STREE SHIKSHAN SAMSTHA'S
SMT. BAKUL TAMBAT INSTITUTE OF NURSING EDUCATION,
KARVENAGAR, PUNE-411052**

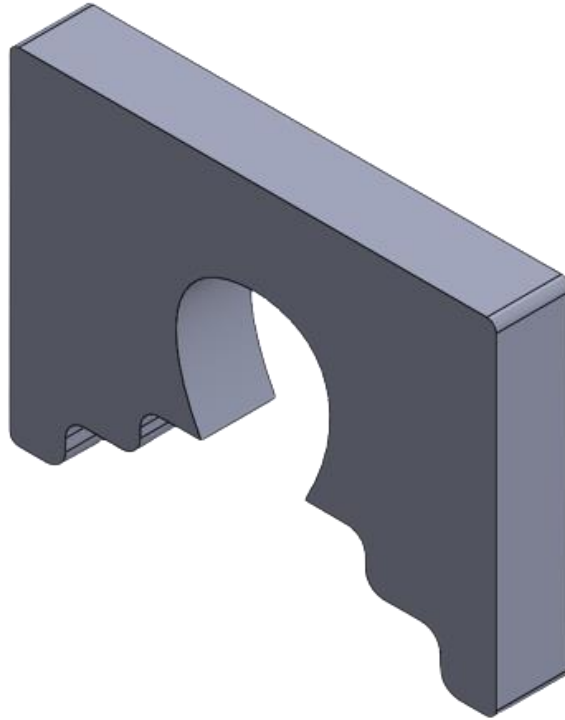
**DETAILS OF
INNOVATION**

Applicant:

MKSSS's Smt. Bakul Tambat Institute of Nursing Education
Ms. Bhakti Shrinivas Kulkarni
Mrs. Nupoor Ninad Bhambid

No. of Sheets :07

Sheet No.01



PERSPECTIVE VIEW

1. NOVELTY RESIDES IN THE SHAPE AND CONFIGURATION OF THE **PILLOW** AS ILLUSTRATED.
2. NO CLAIM IS MADE BY VIRTUE OF THIS REPRESENTATION IN RESPECT OF ANY MECHANICAL OR OTHER ACTION OF THE MECHANISM WHATEVER OR IN RESPECT OF ANY MODE OR PRINCIPLE OF THE CONSTRUCTION OF THE **PILLOW**
3. NO CLAIM IS MADE BY VIRTUE OF THIS REGISTRATION IN RESPECT OF ANY WORD, LETTER, NUMBER, TRADEMARK AND COLOUR OR COLOUR COMBINATION APPEARING ON THE **PILLOW**

Dated this 18 May 2023

Rohit B

Rohit Bari
Agent for Applicant
(IN/PA-2936)

To
The Controller of Designs, Kolkata-700 091

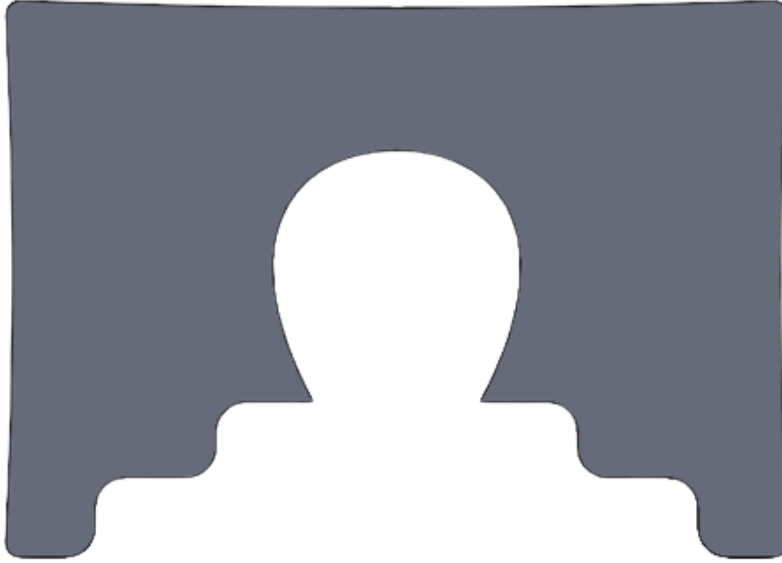
386812-001
23 MAY 2023

Applicant:

MKSSS's Smt. Bakul Tambat Institute of Nursing Education
Ms. Bhakti Shriniwas Kulkarni
Mrs. Nupoor Ninad Bhambid

No. of Sheets :07

Sheet No.02



FRONT VIEW

1. NOVELTY RESIDES IN THE SHAPE AND CONFIGURATION OF THE **PILLOW** AS ILLUSTRATED.
2. NO CLAIM IS MADE BY VIRTUE OF THIS REPRESENTATION IN RESPECT OF ANY MECHANICAL OR OTHER ACTION OF THE MECHANISM WHATEVER OR IN RESPECT OF ANY MODE OR PRINCIPLE OF THE CONSTRUCTION OF THE **PILLOW**
3. NO CLAIM IS MADE BY VIRTUE OF THIS REGISTRATION IN RESPECT OF ANY WORD, LETTER, NUMBER, TRADEMARK AND COLOUR OR COLOUR COMBINATION APPEARING ON THE **PILLOW**

Dated this 18 May 2023

Rohit B

Rohit Bari
Agent for Applicant
(IN/PA-2936)

To
The Controller of Designs, Kolkata-700 091

386812-001
23 MAY 2023

Applicant:

MKSSS's Smt. Bakul Tambat Institute of Nursing Education
Ms. Bhakti Shriniwas Kulkarni
Mrs. Nupoor Ninad Bhambid

No. of Sheets :07

Sheet No.03



TOP VIEW

1. NOVELTY RESIDES IN THE SHAPE AND CONFIGURATION OF THE **PILLOW** AS ILLUSTRATED.
2. NO CLAIM IS MADE BY VIRTUE OF THIS REPRESENTATION IN RESPECT OF ANY MECHANICAL OR OTHER ACTION OF THE MECHANISM WHATEVER OR IN RESPECT OF ANY MODE OR PRINCIPLE OF THE CONSTRUCTION OF THE **PILLOW**
3. NO CLAIM IS MADE BY VIRTUE OF THIS REGISTRATION IN RESPECT OF ANY WORD, LETTER, NUMBER, TRADEMARK AND COLOUR OR COLOUR COMBINATION APPEARING ON THE **PILLOW**

Dated this 18 May 2023

Rohit Bari
Agent for Applicant
(IN/PA-2936)

To
The Controller of Designs, Kolkata-700 091

Applicant(s):
MKSSS's Smt. Bakul Tambat Institute of Nursing Education
Ms. Bhakti Shriniwas Kulkarni
Mrs. Nupoor Ninad Bhambid

No. of Sheets :07
Sheet No.04



BOTTOM VIEW

1. NOVELTY RESIDES IN THE SHAPE AND CONFIGURATION OF THE **PILLOW** AS ILLUSTRATED.
2. NO CLAIM IS MADE BY VIRTUE OF THIS REPRESENTATION IN RESPECT OF ANY MECHANICAL OR OTHER ACTION OF THE MECHANISM WHATEVER OR IN RESPECT OF ANY MODE OR PRINCIPLE OF THE CONSTRUCTION OF THE **PILLOW**
3. NO CLAIM IS MADE BY VIRTUE OF THIS REGISTRATION IN RESPECT OF ANY WORD, LETTER, NUMBER, TRADEMARK AND COLOUR OR COLOUR COMBINATION APPEARING ON THE **PILLOW**

Dated this 18 May 2023

Rohit Bari
Agent for Applicant
(IN/PA-2936)

To
The Controller of Designs, Kolkata-700 091

Applicant(s):
MKSSS's Smt. Bakul Tambat Institute of Nursing Education
Ms. Bhakti Shriniwas Kulkarni
Mrs. Nupoor Ninad Bhambid

No. of Sheets :07
Sheet No.05



LEFTSIDE VIEW

1. NOVELTY RESIDES IN THE SHAPE AND CONFIGURATION OF THE **PILLOW** AS ILLUSTRATED.
2. NO CLAIM IS MADE BY VIRTUE OF THIS REPRESENTATION IN RESPECT OF ANY MECHANICAL OR OTHER ACTION OF THE MECHANISM WHATEVER OR IN RESPECT OF ANY MODE OR PRINCIPLE OF THE CONSTRUCTION OF THE **PILLOW**
3. NO CLAIM IS MADE BY VIRTUE OF THIS REGISTRATION IN RESPECT OF ANY WORD, LETTER, NUMBER, TRADEMARK AND COLOUR OR COLOUR COMBINATION APPEARING ON THE **PILLOW**

Dated this 18 May 2023

Rohit B.

Rohit Bari
Agent for Applicant
(IN/PA-2936)

To
The Controller of Designs, Kolkata-700 091

386812-001
23 MAY 2023

Applicant(s):
MKSSS's Smt. Bakul Tambat Institute of Nursing Education
Ms. Bhakti Shriniwas Kulkarni
Mrs. Nupoor Ninad Bhambid

No. of Sheets :07
Sheet No.06



RIGHT SIDE VIEW

1. NOVELTY RESIDES IN THE SHAPE AND CONFIGURATION OF THE **PILLOW** AS ILLUSTRATED.
2. NO CLAIM IS MADE BY VIRTUE OF THIS REPRESENTATION IN RESPECT OF ANY MECHANICAL OR OTHER ACTION OF THE MECHANISM WHATEVER OR IN RESPECT OF ANY MODE OR PRINCIPLE OF THE CONSTRUCTION OF THE **PILLOW**
3. NO CLAIM IS MADE BY VIRTUE OF THIS REGISTRATION IN RESPECT OF ANY WORD, LETTER, NUMBER, TRADEMARK AND COLOUR OR COLOUR COMBINATION APPEARING ON THE **PILLOW**

Dated this 18 May 2023

Rohit B.

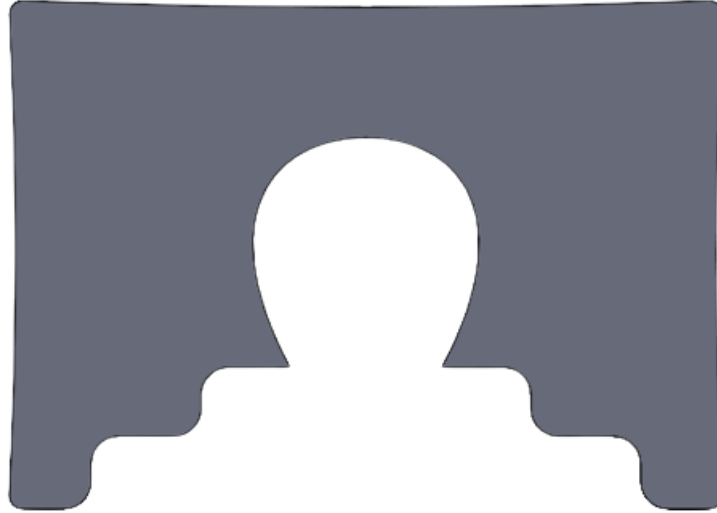
Rohit Bari
Agent for Applicant
(IN/PA-2936)

To
The Controller of Designs, Kolkata-700 091

386812-001
23 MAY 2023

Applicant(s):
MKSSS's Smt. Bakul Tambat Institute of Nursing Education
Ms. Bhakti Shriniwas Kulkarni
Mrs. Nupoor Ninad Bhambid

No. of Sheets :07
Sheet No.07



BACK VIEW

1. NOVELTY RESIDES IN THE SHAPE AND CONFIGURATION OF THE **PILLOW** AS ILLUSTRATED.
2. NO CLAIM IS MADE BY VIRTUE OF THIS REPRESENTATION IN RESPECT OF ANY MECHANICAL OR OTHER ACTION OF THE MECHANISM WHATEVER OR IN RESPECT OF ANY MODE OR PRINCIPLE OF THE CONSTRUCTION OF THE **PILLOW**
3. NO CLAIM IS MADE BY VIRTUE OF THIS REGISTRATION IN RESPECT OF ANY WORD, LETTER, NUMBER, TRADEMARK AND COLOUR OR COLOUR COMBINATION APPEARING ON THE **PILLOW**

Dated this 18 May 2023

Rohit B

Rohit Bari
Agent for Applicant
(IN/PA-2936)

To
The Controller of Designs, Kolkata-700 091

386812-001
23 MAY 2023